



ULA FRONT END CIRCUITS

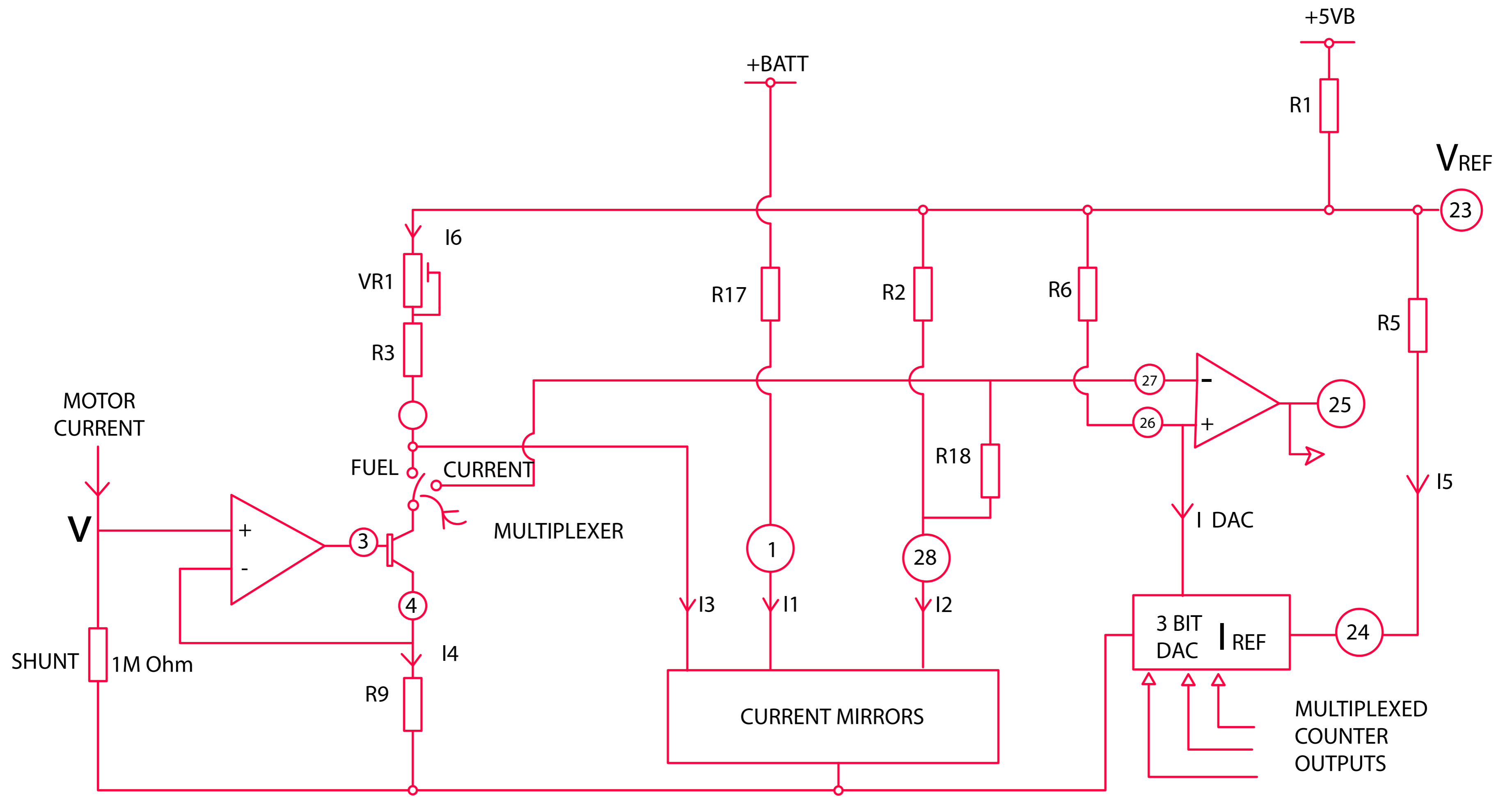


FIGURE 2

Re-drawn by Chris Gavin-Egan of C5alive.co.uk
from drawings supplied by Roy Woodward of SinclairC5.com